

SAMSUNG

890 SERIES HOSPITALITY TVs

SMART TV 2.0 WITH ADVANCED MANAGEMENT. PREMIUM IN EVERY WAY.

46" Class LED

HG46NC890XF

55" Class LED

HG55NC890XF

65" Class LED

HG65NC890XF

75" Class LED

HG75NC890XF

KEY FEATURES

Premium Edge-Lit Ultra-Thin LED Technology



Direct-lit LED technology provides the brilliance and energy savings advantages of LED technology, along with the uniform brightness typical of CCFL displays. And it does it all with an efficiency that makes it a more affordable technology. In fact, it's possible to upgrade your rooms to LED technology for a cost comparable to CCFL technology.

Smart TV 2.0



Experience the next generation of our ground-breaking TVs with Smart Interaction, full web browsers, all-new content, all-new content services, faster processors and much more.

Samsung LYNK™ SINC 3.0 Interactive Content Management System



This IP-based content management solution delivers enhanced HTML and rich text with protocols to communicate between Samsung Interactive TVs and hotel property management software. Facility managers can completely customize the in-room entertainment with EPG (Electronic Program Guide), Weather API, Flight Information and Real Time Messaging, and by unlocking rich content from the Samsung Hospitality Widget Library (Facebook, Twitter, AccuWeather, Google Maps™).

Samsung LYNK™ REACH 3.0 Content Management Solution



The Samsung REACH 3.0 (Remote Enhanced Active Control for Hotels) Management Solution is used in conjunction with an existing coaxial-based infrastructure. It provides centralized TV controls, basic static content management capabilities and an Interactive Program Guide (IPG).

H-Browser Compatibility

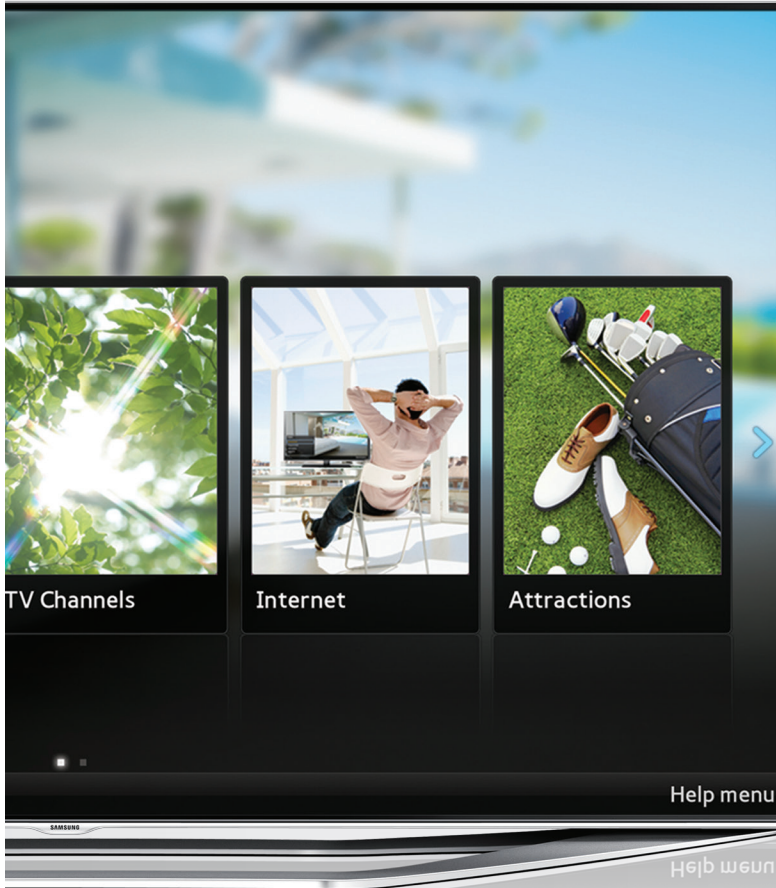


The Samsung 890 Series offers H-Browser through partnerships with certified system integrators providing guests with a premium interactive experience. Built on the HTML5 standard with Flash® support, H-Browser is a true Smart TV solution that features both free and video on demand (VOD) content. It is able to interface directly with the head end without the use of a set top box.

Mobile Device Integration Using AllShare™ Cast



Samsung AllShare™ Cast lets you seamlessly share content across your DLNA connected Samsung devices which includes WIDI without the need for a network cable or a connecting device. AllShare Cast allows screen mirroring and video streaming to enable seamless content sharing.



HOSPITALITY TV SALES:

1-888-727-2664 | 1-866-SAM4BIZ

samsung.com/businesssamsung.com/hospitality

FOLLOW US:

youtube.com/samsungbizusa

@SamsungBizUSA

SUPERIOR PICTURE AND DYNAMIC INTERACTIVITY,
FOR A PREMIUM AT-HOME, IN-ROOM EXPERIENCE

The Samsung 890 Series delivers the ultimate at-home, in-room guest experience. As you'd expect from the leader in flat panel technology, the Samsung 890 Series delivers exceptional HD picture quality and sound. Guests will also enjoy an exclusive level of interactivity via Samsung Smart TV. With Smart TV 2.0, guests can stream movies and TV shows, instantly check Facebook, Twitter and Skype to stay connected, and even push content from their personal devices to the big screen. There's a host of innovations for the hotelier too, like energy-saving performance and remote content management for cost savings and greater efficiency. It's the complete platform that delivers a premium experience for both you and your guests. **The New Business Experience**

THE NEW
BUSINESS
EXPERIENCE

Samsung 890 Series Hospitality TVs

Samsung Hospitality TVs are loaded with features that provide premier guest satisfaction, while making your job easier.

HOSPITALITY FEATURES

Anti-Theft Battery Cover

Battery door is secured, ensuring batteries remain in the remote controller.

Channel Remapping

Allows the hotelier to change channel and TV source to a different channel.

Clock On Timer and Alarm Key

Allows the guest to program the TV to turn on as a wake-up alarm.

Closed Captioning

A text display of all audio content, including spoken dialog and non-speech information such as the identity of the speakers and symbols for sound effects and music.

Hotel Channel List

Guest master channel listing of program content. This will display content in analog or HD.

Hotel Logo Display with Time Out Setting

Display hotel logo bitmap files as a greeting startup display.

Hotel Mode Plug & Play

Interactive stand-alone mode available.

Lockout Controls

The hotelier can enable front panel and menu display lock-outs.

OSD Language

Choose English/French/Spanish.

Picture-in-Picture

Display one program while another is being displayed on the full TV screen at the same time.

Power On Status Setting

Settings include power always on, last option or standby.

Multi-Code Remote

Eliminates interference when two or more TVs are used in close proximity to each other.

Samsung LYNK™ SINC 3.0 Interactive Content Management System

IP-based solution designed to provide enhanced HTML and rich text, dynamic content management capabilities. Offers EPG (Electronic Program Guide), Weather API, Flight Information and Real Time Messaging. Incorporates use of Samsung Hospitality Widget Library (Facebook, Twitter, AccuWeather, Google Maps). For the hotelier with IP-enabled infrastructure and Samsung's Interactive TVs. The Samsung Hospitality Displays Smart Widget Solution provides you with the ability to deliver customized content to your guests via the TV screen, providing a high degree of customer satisfaction.

Samsung LYNK™ REACH 3.0 Content Management Solution

The Samsung LYNK™ REACH 3.0 (Remote Enhanced Active Control for Hotels) Management Solution is used in conjunction with an existing coaxial-based infrastructure. It provides centralized TV controls, basic static content management capabilities and an Interactive Program Guide (IPG). Samsung REACH delivers, in a free-to-guest solution, content and information on such topics as your hotel, local and in-room dining, spa and exercise facilities, meetings and events, local attractions, and other simple guest convenience features. Property managers will be able to easily update and change information using a Windows®-based system.

Sleep Timer

Allows guest to set TV turn-off time in 30-minute intervals up to 180 minutes.

USB Cloning

A quick and easy way to copy the ideal settings off one television to others on the property. Saves time and helps provide a consistent viewing experience for all televisions.

CONNECTIONS

AllShare™ Cast

Enjoy your favorite digital content from any of your DLNA - connected Samsung Devices. AllShare™ Cast lets you wirelessly access and share content between your Samsung devices regardless of where you are. And there's no need for any cables or connected devices. It's also equipped with cloud technology, so you can upload your favorite content to a central web storage account and access it wherever you are.

Anynet + (HDMI – CEC)

This Samsung protocol allows the user to control other HDMI devices connected to the TV display, such as DVD players, PC computers and Soundbars.

ConnectShare™ (USB 2.0)

Connect a thumb drive or digital camera quickly and easily. User-friendly interface allows access to videos, a music playlist and pictures via the remote.

Hotel TV (RJ-12/IR Pass Through)

Allows you to connect an interactive STB/SBB (Set Top Box/Set Back Box).

Hotel TV RJ45

Connection to hotel LAN using custom H-browser or Samsung LYNK™ SINC.

Interactive Compatibility System



Remote Jack Panel (RJP) Compatibility



WiFi®

With built-in WiFi, no additional equipment is needed to connect with an existing wireless router in your hotel network and start accessing Samsung Apps or other Smart TV features.

PICTURE QUALITY AND AUDIO

2D and 3D in Full HD

Enjoying stunning full HD 1080p in both 2D and 3D models. With Samsung's 3D Converter, turn 2D viewing into 3D for an amazing cinematic experience. Requires 3D Active Glasses to bring viewing to vivid life.

Auto Volume Limiter

During initial product setup, minimum and maximum volume levels can be locked to help minimize disturbance to other hotel guests.

Quad Core Processor

Enhanced processing speeds allow you to perform multiple tasks at the same time with ease, such as using an app while downloading another one. It also enables faster web browsing while playing apps for TV programs that you recently opened through the Recent History feature.

Full HD 1080p, MPEG4

Samsung 46", 55", 65" and 75" 890 Series TVs feature Full HD. All TVs also are compatible with MPEG4.

Music Mode (Input: HDMI/PC/AV/Component)

Allows audio feedback when picture is muted.

Music Mode Backlight On/Off

Shows a background display.

Premium Edge-Lit Ultra-Thin LED Technology

Samsung's premium edge-lit 890 Series puts any hotel in the best light possible and delivers an unparalleled guest experience. Available in 46", 55", 65" and 75" picture sizes to fit in a wide range of rooms and suites, these energy-efficient flat panel TVs deliver best-in-class picture quality and value.

Soundbar Compatible (HW-H530H/ZA)

Samsung Hospitality Displays enable Soundbar compatibility by supporting HDMI-CEC. When you connect the Soundbar to the Samsung Hospitality Display with an HDMI cable, the TV audio settings and menu lock feature are automatically applied, so you don't have to set up the Soundbar separately. You can also prevent guests from changing the settings. With one single remote, guests can control both the TV and Soundbar simultaneously.

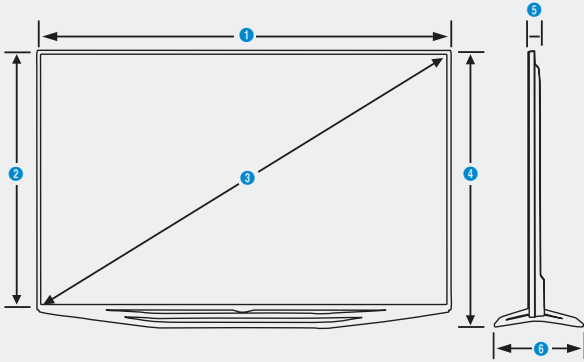
WARRANTY

2-year parts and 2-year labor warranty backed by Samsung Hospitality Hotline 1-866-894-0524. Optional professional installation, accessories and extended warranty are available.

Samsung 890 Series Hospitality TVs



Dimensions



46" | HG46NC890XF - 1080p | Mega Contrast Ratio

1	2	3	4	5	6
40.68"	23.5"	46"	25.17"	1.3"	8.22"

55" | HG55NC890XF - 1080p | Mega Contrast Ratio

1	2	3	4	5	6
40.22"	27.84"	55"	29.43"	1.3"	10.54"

65" | HG65NC890XF - 1080p | Mega Contrast Ratio

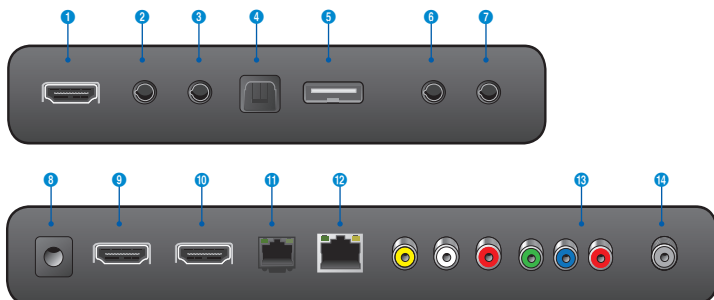
1	2	3	4	5	6
56.98"	32.93"	65"	34.89"	1.38"	12.48"

75" | HG75NC890XF - 1080p | Mega Contrast Ratio

1	2	3	4	5	6
65.8"	37.9"	75"	39.9"	1.43"	12.48"

Connectivity

- | | | |
|----------------------|-----------------------|----------------------------------|
| 1. HDMI In 3 | 6. Volume Control | 11. (RJ12) Data |
| 2. DVI Audio In | 7. Variable Audio Out | 12. (RJ45) LAN |
| 3. Audio Out | 8. RJP (RS232) | 13. Video / AV IN / Component In |
| 4. Digital Audio Out | 9. HDMI In 1 (ARC) | 14. Cable |
| 5. USB | 10. HDMI In 2 | |



DIGITAL RIGHTS MANAGEMENT (DRM)

Pro:Idiom™ HD Content Decryption DRM (RF) Pro:Idiom

The 890 Series is equipped with Pro:Idiom™ MPEG4 technology, making the TVs compatible with most major VOD/PPV systems. You can offer your guests premium HDTV content from cable, satellite or video-on-demand services with no optional cards or external box needed.

Samsung LYNK™ HD Content Decryption DRM (IP/RF) Samsung LYNK

Samsung's software-based DRM technology is integrated into the entire Samsung 2014 Hotel TV line. Samsung LYNK™ offers a robust solution to unlock premium HDTV content from content providers such as cable, satellite and VOD providers, with maximum efficiency and security. IPTV-IP LYNK available with SYNC 3.0 and H-Browser.

Verimatrix™ HD Content Decryption DRM (IP) Verimatrix

IPTV-IP Multicast DRM USED in conjunction with Samsung LYNK™ SINC. In viewing IPTV channel reliable access to unlock premium HDTV content from content providers such as cable and satellite providers. IPTV-IP LINK available with SINC 3.0 and H-Browser 3.0.



SAMSUNG 890 SERIES HOSPITALITY TVs KEY SPECIFICATIONS For complete product specifications, visit samsung.com/hospitality

	Model Number	HG46NC890XF	HG55NC890XF	HG65NC890XF	HG75NC890XF	
Display	Backlight	LED - Edge Lit	LED - Edge Lit	LED - Edge Lit	LED	
	Screen Size (Diagonal)	46"	55"	65"	75"	
	HD/FHD	FHD	FHD	FHD	FHD	
	Resolution	1920 x 1080	1920 x 1080	1920 x 1080	1920 x 1080	
Video	Picture Engine	3D HyperReal Engine	3D HyperReal Engine	3D HyperReal Engine	3D HyperReal Engine	
	Micro Dimming	Micro Dimming Pro	Micro Dimming Pro	Micro Dimming Pro	Micro Dimming Pro	
	Wide Color Enhancer Plus	Yes	Yes	Yes	Yes	
	Auto Motion Plus	240Hz	240Hz	240Hz	240Hz	
	Film Mode	Yes	Yes	Yes	Yes	
Audio	Dolby	Dolby MS10	Dolby MS10	Dolby MS10	Dolby MS10	
	DTS Studio Sound / DNe+	DTS Studio Sound	DTS Studio Sound	DTS Studio Sound	DTS Studio Sound	
	DTS Premium Sound / DTS Premium Sound 5.1	DTS Premium Sound 5.1	DTS Premium Sound 5.1	DTS Premium Sound 5.1	DTS Premium Sound 5.1	
	3D Sound	Yes	Yes	Yes	Yes	
	Auto Volume Leveler	Yes	Yes	Yes	Yes	
	Speaker Type	Down Firing + New Waveguide	Down Firing + New Waveguide	Down Firing + New Waveguide	Down Firing + New Waveguide	
	Sound Output (RMS)	40W (Left:10W, Right:10W, Woofer:20W)	40W (Left:10W, Right:10W, Woofer:20W)	40W (Left:10W, Right:10W, Woofer:20W)	40W (Left:10W, Right:10W, Woofer:20W)	
	Woofer	Yes	Yes	Yes	Yes	
	Variable Speaker Output	4W (Mono, 8)	4W (Mono, 8)	4W (Mono, 8)	4W (Mono, 8Ω)	
Features	Smart Hub	Yes	Yes	Yes	Yes	
	Apps	Yes	Yes	Yes	Yes	
	Web Browser	Yes	Yes	Yes	Yes	
	Samsung SMART View	Yes	Yes	Yes	Yes	
	Voice Control	Yes	Yes	Yes	Yes	
	Samsung 3D	Yes	Yes	Yes	Yes	
	3D Converter	Yes	Yes	Yes	Yes	
	Wireless LAN Built-in	Yes	Yes	Yes	Yes	
	AllShare - Contents Sharing	Yes	Yes	Yes	Yes	
	AllShare - Screen Mirroring	Yes	Yes	Yes	Yes	
	ConnectShare™ (USB 2.0)	Movie	Movie	Movie	Movie	
	Wake On LAN	Yes	Yes	Yes	Yes	
	Soft AP	Yes	Yes	Yes	Yes	
	BT HID Built-in	Yes	Yes	Yes	Yes	
	USB HID Support	Yes	Yes	Yes	Yes	
	TV SoundConnect	Yes	Yes	Yes	Yes	
	OSD Language	English, Spanish, French	English, Spanish, French	English, Spanish, French	English, Spanish, French	
	Digital Clean View	Yes	Yes	Yes	Yes	
	HDMI 1.4 3D Auto Setting	Yes	Yes	Yes	Yes	
	HDMI 1.4 A / Return Ch. Support (ARC)	Yes	Yes	Yes	Yes	
	Anynet+ (HDMI-CEC)	Yes	Yes	Yes	Yes	
	BD Wise Plus	Yes	Yes	Yes	Yes	
	Auto Channel Search	Yes	Yes	Yes	Yes	
	Auto Power Off	Yes	Yes	Yes	Yes	
	EPG	Yes	Yes	Yes	Yes	
	Caption (Subtitle)	Yes	Yes	Yes	Yes	
	Wake-up Timer	Yes	Yes	Yes	Yes	
	Game Mode	Yes	Yes	Yes	Yes	
	Picture-In-Picture	Yes	Yes	Yes	Yes	
	Sleep Timer	Yes	Yes	Yes	Yes	
	Hospitality Features	Hospitality Home Menu	Yes	Yes	Yes	Yes
		Samsung LYNK™ REACH Server Compatibility	Yes	Yes	Yes	Yes
Samsung LYNK™ SINC Compatibility		Yes	Yes	Yes	Yes	
H.Browser Compatibility		Yes	Yes	Yes	Yes	
Hospitality Plug&Play (Easy Set-up)		Yes	Yes	Yes	Yes	
RJ 12 / IR Pass Through		Yes	Yes	Yes	Yes	
Power on Mode		Yes	Yes	Yes	Yes	
USB Cloning		Yes	Yes	Yes	Yes	
Logo Display with Time Out Setting (BMP/Movie)		Yes	Yes	Yes	Yes	
Welcome Message		Yes	Yes	Yes	Yes	
Music Mode (Input: PC/AV/Component/HDMI)		Yes	Yes	Yes	Yes	
Music Mode BackLight on/off		Yes	Yes	Yes	Yes	
Auto Source Mode		Yes	Yes	Yes	Yes	
Energy Saving Mode (BLU control)		Yes	Yes	Yes	Yes	
Clock Back Up Supply		Yes	Yes	Yes	Yes	
Software Clock		Yes	Yes	Yes	Yes	
Multi Code Remote Control		Yes	Yes	Yes	Yes	
Screwed Remote Battery Cover		Yes	Yes	Yes	Yes	
Smovie Compatibility		Yes	Yes	Yes	Yes	
Sound bar compatibility		Yes	Yes	Yes	Yes	
Samsung LYNK™ DRM	Yes	Yes	Yes	Yes		
ProJdiom	Yes	Yes	Yes	Yes		

SAMSUNG 890 SERIES HOSPITALITY TVs KEY SPECIFICATIONS For complete product specifications, visit samsung.com/hospitality

	Model Number	HG46NC890XF	HG55NC890XF	HG65NC890XF	HG75NC890XF
Input & Output	HDMI (Side/Rear)	2/2	2/2	2/2	2/2
	USB (Side/Rear)	1/0	1/0	1/0	1/0
	Component In (Y/Pb/Pr) (Side/Rear)	0/1	0/1	0/1	0/1
	Composite In (AV) (Side/Rear)	0/1 (1 Common Use for Component Y)	0/1 (1 Common Use for Component Y)	0/1 (1 Common Use for Component Y)	0/1 (1 Common Use for Component Y)
	Ethernet (LAN) (Side/Rear)	1/0	1/0	1/0	1/0
	Digital Audio Out (Optical) (Side/Rear)	0/1	0/1	0/1	0/1
	Audio Out (Mini Jack) (Side/Rear)	0/1	0/1	0/1	0/1
	PC/DVI Audio In (Mini Jack) (Side/Rear)	0/1	0/1	0/1	0/1
	RF In (Terrestrial/Cable input) (Side/Rear)	1/0	1/0	1/0	1/0
	RS232C	(Common Use for RJ12)	(Common Use for RJ12)	(Common Use for RJ12)	(Common Use for RJ12)
	Variable Audio Out (Side/Rear)	0/1	0/1	0/1	0/1
	Variable Audio Out Volume Control (Side/Rear)	0/1	0/1	0/1	0/1
	RJ12 for External Control (Side/Rear)	0/1	0/1	0/1	0/1
	RJP Jack (Remote Jack Pack) (Side/Rear)	0/1	0/1	0/1	0/1
	System	DTV Tuner	ATSC / Clear QAM	ATSC / Clear QAM	ATSC / Clear QAM
Analog Tuner		Yes	Yes	Yes	Yes
Design	Front Color	Black	Black	Black	Black
	Stand Type	U Stand	U Stand	U Stand	U Stand
Dimension (WxHxD)	Set Dimension with Stand (WxHxD) (mm / Inch)	1033.3 x 639.20 x 208.8 / 40.68" x 25.17" x 8.22"	1224.8 x 747.5 x 267.7 / 48.22" x 29.43" x 10.54"	1447.3 x 886.1 x 316.9 / 56.98" x 34.89" x 12.48"	1670.2 x 1012.3 x 316.9 / 65.8" x 39.9" x 12.5"
	Set Dimension without Stand (WxHxD) (mm / Inch)	1033.3 x 596.9 x 33.2 / 40.48" x 23.5" x 1.3"	1224.8 x 706.9 x 33.2 / 48.22" x 27.83" x 1.30"	1447.3 x 836.4 x 35.2 / 56.98" x 32.93" x 1.38"	1670.2 x 962.6 x 36.4 / 65.8" x 37.9" x 1.43"
Carton Dimensions	Package Dimension (WxHxD) (mm / Inch)	1110 x 668 x 140 / 43.7" x 26.3" x 1.72"	1340 x 800 x 152 / 52.75" x 31.49" x 5.98"	1571 x 945 x 182 / 61.85" x 37.20" x 7.17"	1810 x 300 x 1075 / 71.3" x 42.3" x 11.811"
	Weight	Set Weight with Stand (kg / lbs)	12.5 / 27.6 lbs.	16.7 / 36.8 lbs.	26.1 / 57.5 lbs.
Packaging Weight	Set Weight without Stand (kg / lbs)	11.3 / 24.9 lbs.	14.8 / 32.6 lbs.	22.7 / 50.0 lbs.	34 / 75 lbs.
	Gross weight (kg / lbs)	15 / 33.1 lbs.	21.1 / 46.5 lbs.	32.4 / 71.4 lbs.	46.15 / 101.7 lbs.
VESA Mounting	Dimensions (mm)	400 x 400	400 x 400	400 x 400	400 x 400
	Screw Size	M8	M8	M8	M8
Power	Power Supply	AC110-120V 60Hz	AC110-120V 60Hz	AC110-120V 60Hz	AC110-120V 60Hz
	Multi Voltage	AC110-220V	AC110-220V	AC110-220V	AC110-120V 60Hz
UPC		887276684420	887276684451	887276684468	8806086379038
Eco	Eco Mark	TM1480 + TM1240	TM1480 + TM1240	TM1480 + TM1240	TM1480 + TM1240
	Eco Sensor	Yes	Yes	Yes	Yes
Accessory	Package Dimension (WxHxD) (mm)	Yes	Yes	Yes	Yes
	Battery (for Remote Control)	Yes	Yes	Yes	Yes
	Vesa Wall Mount Support	Yes	Yes	Yes	Yes
	Slim Gender Cable	Yes	Yes	Yes	Yes
	Power Cable	Yes	Yes	Yes	Yes



SAMSUNG

For complete product information and accessories, visit samsung.com/business or samsung.com/hospitality

Sales Support: 1-888-727-2664 or 1-866-SAM4BIZ | Follow us: [youtube.com/samsungbizusa](https://www.youtube.com/samsungbizusa) | [@SamsungBizUSA](https://twitter.com/SamsungBizUSA)

Samsung Electronics has been named 2013 ENERGY STAR Partner of the Year in the product manufacturing category by the U.S. Environmental Protection Agency (EPA).



©2014 Samsung Electronics America, Inc. Samsung is a registered mark of Samsung Electronics Corp., Ltd. Specifications and designs are subject to change without notice. Non-metric weights and measurements are approximate. Intel, the Intel logo, Intel Core, and Core Inside are trademarks of Intel Corporation in the U.S. and other countries. All other brand, product, service names and logos are trademarks and/or registered trademarks of their respective manufacturers and companies. See samsung.com for detailed information. Printed in USA. HOSTV-890SERIESB2BDSHT-JUL14T